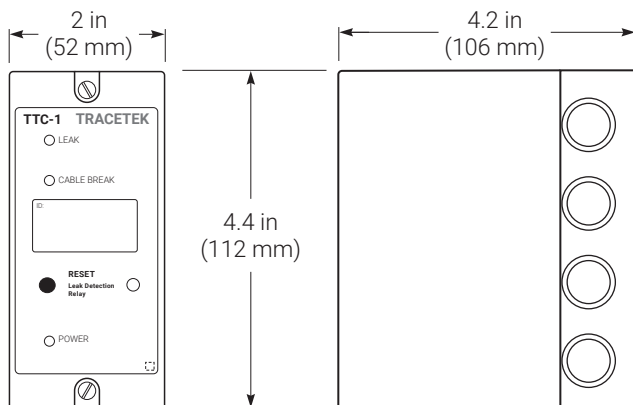
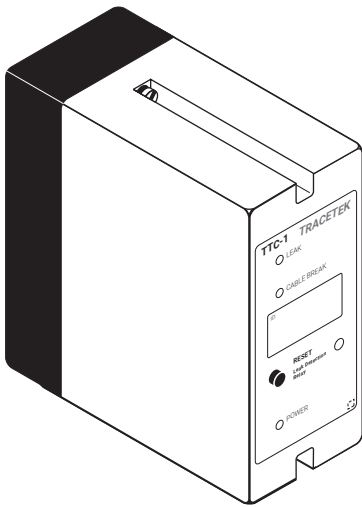


Sensing Module with Relay Contacts



PRODUCT OVERVIEW

The nVent RAYCHEM TraceTek TTC-1 module offers a low cost option for liquid leak detection. It is designed for use with any nVent RAYCHEM TraceTek sensing cable, and can be integrated into a variety of monitoring systems. The TTC-1 module includes three sets of relay contacts which can be used for remote annunciation and equipment control. An optional remote annunciation device is available.

EASY SETUP

All field wiring connections are easily made to a terminal strip molded into the base of the module. The module can be configured to reset automatically when a leak clears, or to require a manual reset using the button provided. The TTC-1 module includes adjustments for sensitivity to leaks, and for the time delay before the leak alarm relay trips. These adjustments can be made in the field.

VERSATILE DESIGN

The TTC-1 module provides separate relays for leak alarms and trouble alarms. The Leak relay has two sets of contacts so it can be used both to annunciate the alarm and to provide direct control linkage to local devices. However, the system is not designed for constant switching applications. The Cable Break alarm monitors the integrity of the sensing cable and jumper cable, and will trip if continuity is lost. This trouble relay is normally energized, so it will also signal if there is a loss of power.

The TTC-1 module may be installed in nonhazardous indoor locations. Its small size allows for mounting in or on walls, or on DIN 1 rail systems.

APPLICATIONS

The TTC-1 is ideally suited to be easily integrated into centralized monitoring systems for large facilities. Typical applications include monitoring for leaks from individual pieces of equipment such as air-handling units, water-cooled machinery, single tanks, pumps, sumps, or other locations where a single length of nVent RAYCHEM TraceTek sensing cable is used.

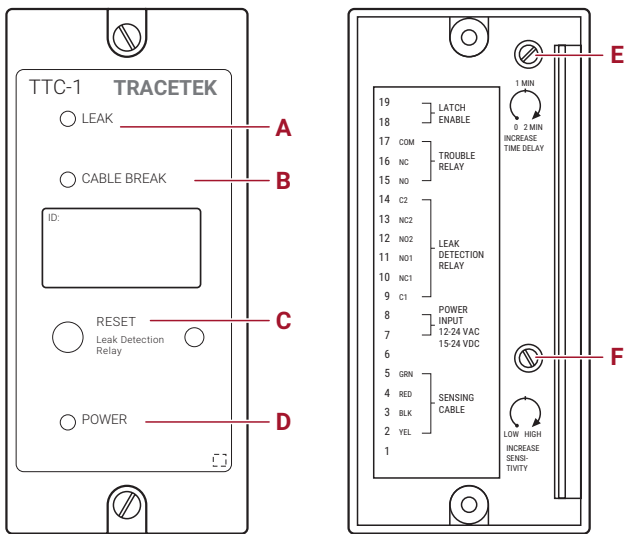
TECHNICAL INFORMATION

Sensing cable compatibility	All nVent RAYCHEM TraceTek sensing cables and probes
Maximum length of sensing cable (per channel)	250 ft (76 m)
Temperature rating	32°F to 122°F (0°C to 50°C)
Plastic enclosure	NEMA 1, IP 20
Weight	0.77 lb (0.35 kg)
Power supply requirement (transformer not included)	12 Vac to 24 Vac; 50/60 Hz 0.25 A 15 Vdc to 24 Vdc 0.15 A
Terminal block wiring	14 AWG (maximum 2.5 mm ²) 18 AWG (1 mm ²)
RAYCHEM TraceTek jumper cable wiring	Leak: 1 DPDT, Form C 3 A rating at 30 Vdc or 24 Vac
Relays	Trouble: 1 SPDT, Form C 3 A rating at 30 Vdc or 24 Vac Normally energized

ORDERING INFORMATION

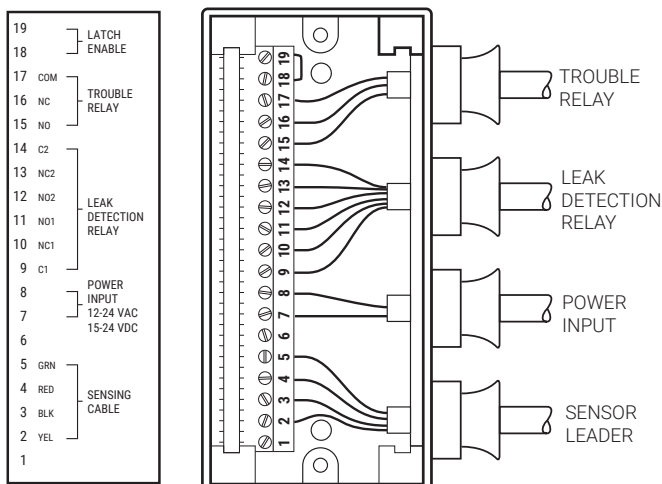
Catalog Number	Part Number	Description
TTC-1	698897-000	TTC-1 alarm module with relay contacts
Accessories:	TTE-XAL	418569-000 External audible alarm
	TTC-DRC	062825-000 DIN 1 rail mounting clip

MODULE FUNCTIONS



- A LEAK indicator (red LED)**
Indicates system has detected a leak.
- B CABLE BREAK indicator (yellow LED)**
Indicates system has detected a break in the sensing circuit.
- C RESET switch and indicator (red LED)**
Indicates leak relay has been activated. Push to reset manually.
- D POWER monitor (green LED)**
Indicates the system is on.
- E** Adjusts leak alarm time delay (0–2 minutes).
- F** Adjusts leak alarm sensitivity.

TERMINAL BLOCK WIRING



18–19	Latch enable (jumper enables leak alarm relay to latch)*
15–17	Trouble relay (SPDT)
9–14	Leak Detection relay (DPDT)
7–8	Power input, 12–24 volts AC or 15–24 volts DC
6	Open; do not use
2–5	Sensing cable (2-yellow, 3-black, 4-red, 5-green)
1	Open; do not use

*Note: If latch enable jumper is removed, leak relay automatically resets when cable dries

APPROVALS

TYPE NM



LISTED

**General Signaling Equipment
76LJ**

The TTC-1 module is UL Listed for use in nonhazardous locations.

North America

Tel +1.800.545.6258
Fax +1.800.527.5703
thermal.info@nvent.com

Europe, Middle East, Africa

Tel +32.16.213.511
Fax +32.16.213.604
thermal.info@nvent.com

Asia Pacific

Tel +86.21.2412.1688
Fax +86.21.5426.3167
cn.thermal.info@nvent.com

Latin America

Tel +1.713.868.4800
Fax +1.713.868.2333
thermal.info@nvent.com



Our powerful portfolio of brands:

CADDY ERICO HOFFMAN RAYCHEM SCHROFF TRACER